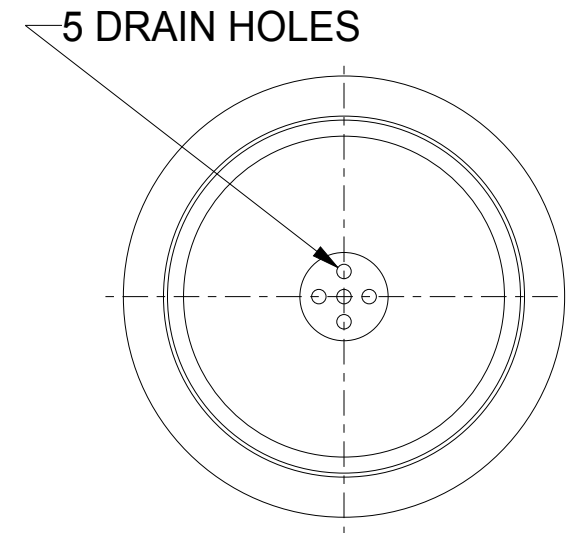
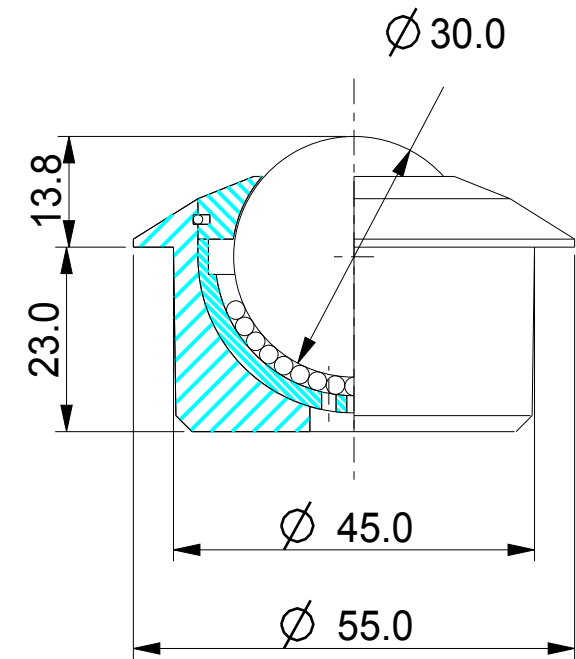


Available Material Options

Part #	Load bearing internal materials	Ball Material	Casing material & finish	Weight
MW30	AISI 420	AISI 420	AISI 304 - Natural	0.33 kg

LOAD CAPACITY 220kg



THIS DOCUMENT CONTAINS OMNITRACK LTD PROPRIETARY AND CONFIDENTIAL INFORMATION. IT IS LOANED FOR LIMITED PURPOSES ONLY AND REMAINS THE PROPERTY OF OMNITRACK LTD. IT MAY NOT BE REPRODUCED IN WHOLE OR PART OR DISCLOSED TO THIRD PARTIES WITHOUT THE PRIOR WRITTEN CONSENT OF OMNITRACK LTD. THE DOCUMENT IS TO BE RETURNED TO OMNITRACK LTD UPON REQUEST AND IN ALL EVENTS UPON COMPLETION OF THE USE FOR WHICH IT WAS LOANED.



ALL DIMENSIONS SHOWN IN mm

DRAWING No.

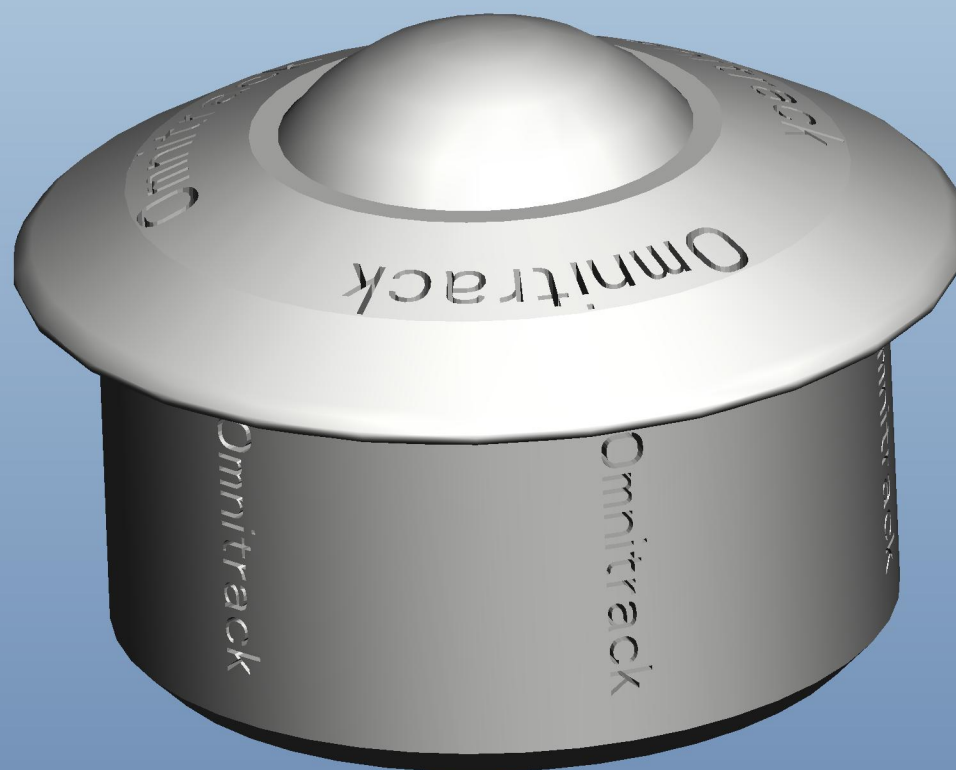
MW30

**Omnitrack Ltd**

Station Road Industrial Estate,  
Woodchester,  
Gloucestershire,  
GL5 5EQ - UK

Tel; +44 (0) 1453 873 345  
Fax; +44 (0) 1453 878 500  
info @ omnitrack.co.uk  
www.omnitrack.co.uk

Click [HERE](#) to manipulate 3D Model - MW30



.IGS / .STP / .SET / Other formats?  
E-mail [info @ omnitrack.co.uk](mailto:info@omnitrack.co.uk)