

Available Material Options				
Part #	Load bearing internal materials	Ball Material	Casing material & finish	Weight
MX30-C	AISI 316 case hardened	AISI 420	AISI 304 - Natural	0.36 kg

LOAD CAPACITY 350kg

THIS DOCUMENT CONTAINS OMNITRACK LTD PROPRIETARY AND CONFIDENTIAL INFORMATION. IT IS LOANED FOR LIMITED PURPOSES ONLY AND REMAINS THE PROPERTY OF OMNITRACK LTD. IT MAY NOT BE REPRODUCED IN WHOLE OR PART OR DISCLOSED TO THIRD PARTIES WITHOUT THE PRIOR WRITTEN CONSENT OF OMNITRACK LTD. THE DOCUMENT IS TO BE RETURNED TO OMNITRACK LTD UPON REQUEST AND IN ALL EVENTS UPON COMPLETION OF THE USE FOR WHICH IT WAS LOANED.



ALL DIMENSIONS SHOWN IN mm

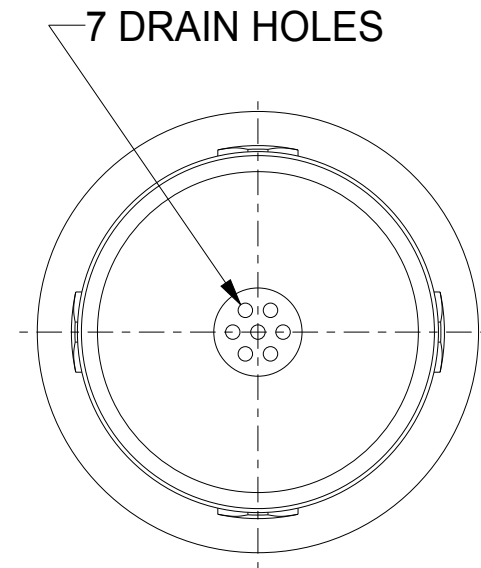
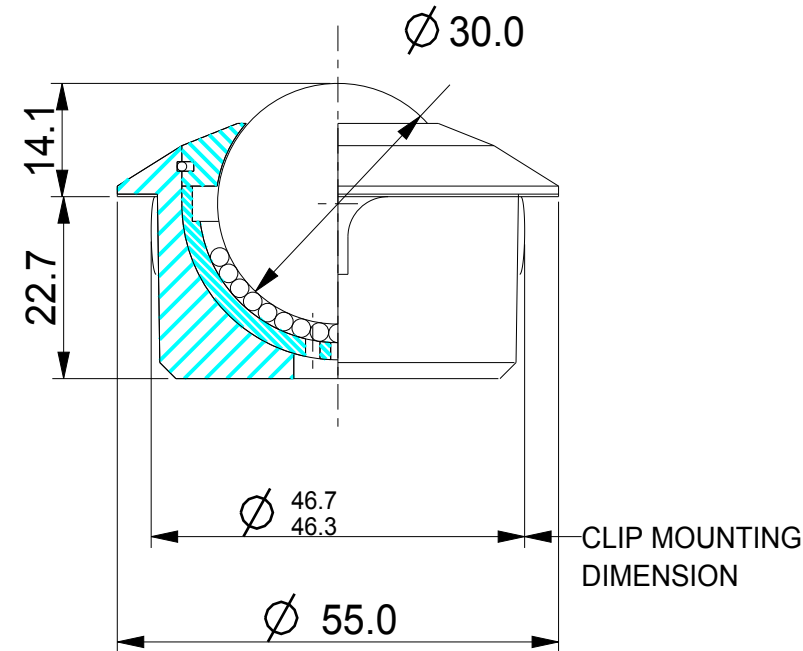
DRAWING No.

MX30-C

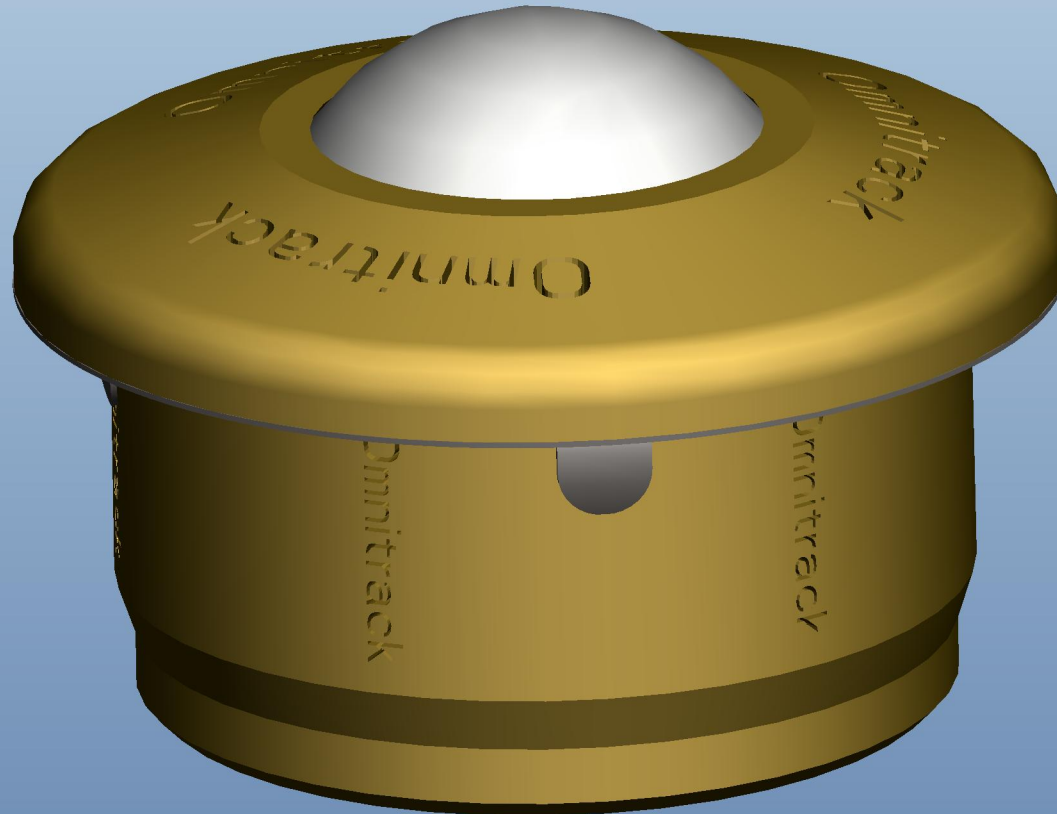
Omnitrack Ltd

Station Road Industrial Estate,
Woodchester,
Gloucestershire,
GL5 5EQ - UK

Tel; +44 (0) 1453 873 345
Fax; +44 (0) 1453 878 500
info @ omnitrack.co.uk
www.omnitrack.co.uk



Click [HERE](#) to manipulate 3D Model - MX30-C



.IGS / .STP / .SET / Other formats?
E-mail [info @ omnitrack.co.uk](mailto:info@omnitrack.co.uk)