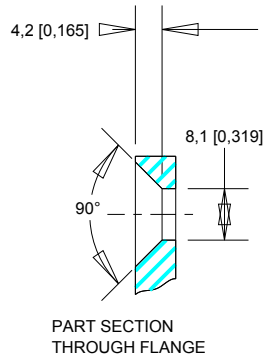
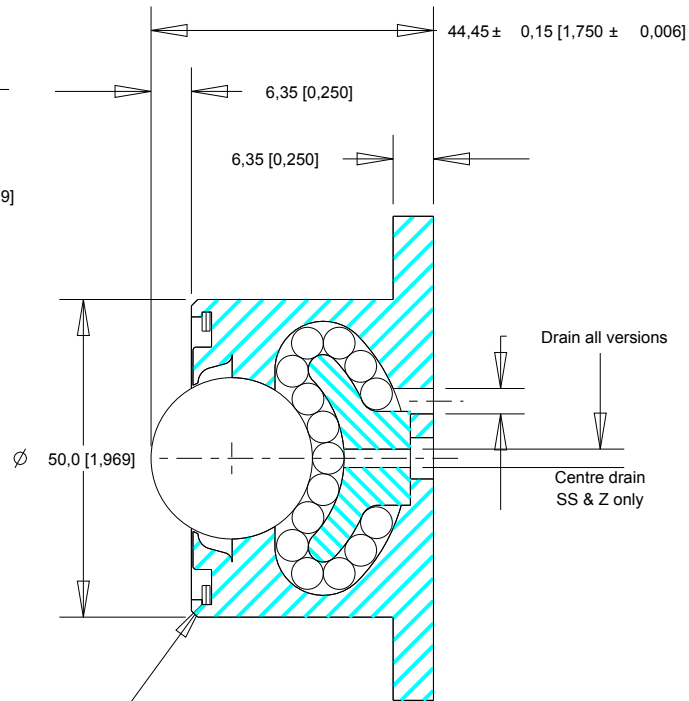


4 HOLES  $\varnothing$ 8.1 C'SUNK  $\varnothing$ 16.0 - 16.2 @ 90° INCL



PART SECTION THROUGH FLANGE



REMOVABLE & REUSABLE 'SPIROLOX' CIRCLIP ALLOWS CLEANING/USER SERVICING

LOAD CAPACITY 375kg

Available Material Options

Part #	Load bearing internal materials	Ball Material	Casing material & finish
9230	AISI 52100	AISI 52100	AISI 1012 - Zinc plated
9230-A	AISI 52100	AISI 440	AISI 1015 - Zinc plated
9230-SS	AISI 440	AISI 440	AISI 304 - Natural
9230-Z	AISI 440	AISI 440	AISI1015 - 'Electrostatic' finish~

Operating temperature -20° C + 125° C (continuous)

THIS DOCUMENT CONTAINS OMNITRACK LTD PROPRIETARY AND CONFIDENTIAL INFORMATION. IT IS LOANED FOR LIMITED PURPOSES ONLY AND REMAINS THE PROPERTY OF OMNITRACK LTD. IT MAY NOT BE REPRODUCED IN WHOLE OR PART OR DISCLOSED TO THIRD PARTIES WITHOUT THE PRIOR WRITTEN CONSENT OF OMNITRACK LTD. THE DOCUMENT IS TO BE RETURNED TO OMNITRACK LTD UPON REQUEST AND IN ALL EVENTS UPON COMPLETION OF THE USE FOR WHICH IT WAS LOANED.



ALL DIMENSIONS SHOWN IN mm

DRAWING No.

9230

Omnitrack Ltd

Station Road Industrial Estate, Woodchester, Gloucestershire,

GL5 5EQ - UK

Tel; +44 (0) 1453 873 345

Fax; +44 (0) 1453 878 500

info @ omnitrack.co.uk

www.omnitrack.co.uk