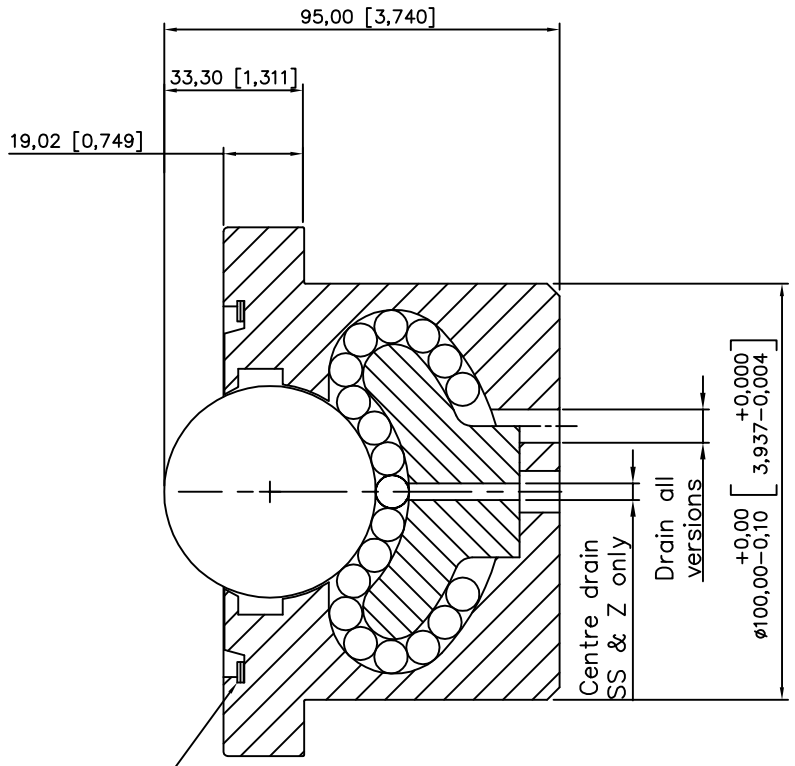
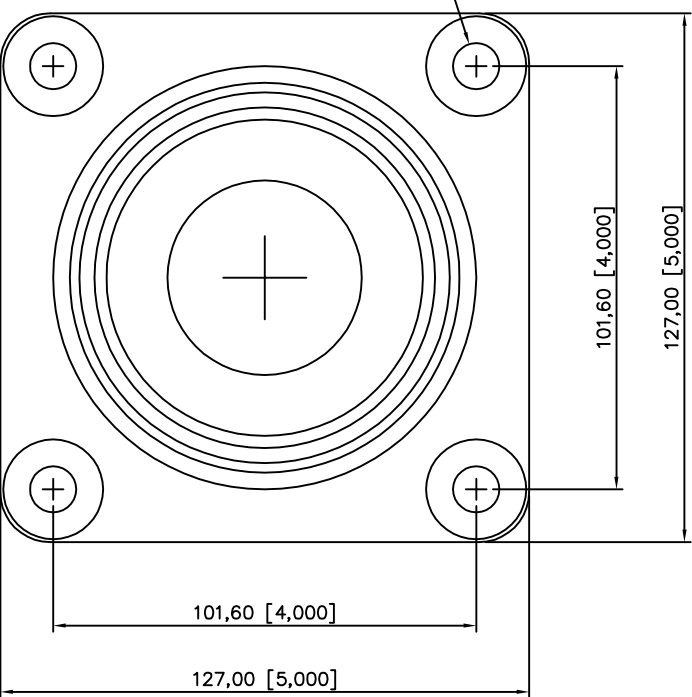


4 HOLES $\phi 11.1$ [0.437"]
C'SUNK $\phi 24$ @90° INCL



REMOVABLE & REUSABLE 'SPIROLOX' CIRCLIP
ALLOWS CLEANING/USER SERVICING

LOAD CAPACITY 2200kg

Available Material Options

Part #	Load bearing internal materials	Ball Material	Casing material & finish
9350	AISI 52100	AISI 52100	AISI 1012 - Zinc plated
9350-A	AISI 52100	AISI 440	AISI 1015 - Zinc plated
9350-SS	AISI 440	AISI 440	AISI 304 - Natural
9350-Z	AISI 440	AISI 440	AISI1015 - 'Electrostatic' finish~

~ Operating temperature -20°C + 125°C (continuous)

THIS DOCUMENT CONTAINS OMNITRACK LTD PROPRIETARY AND CONFIDENTIAL INFORMATION. IT IS LOANED FOR LIMITED PURPOSES ONLY AND REMAINS THE PROPERTY OF OMNITRACK LTD. IT MAY NOT BE REPRODUCED IN WHOLE OR PART OR DISCLOSED TO THIRD PARTIES WITHOUT THE PRIOR WRITTEN CONSENT OF OMNITRACK LTD. THE DOCUMENT IS TO BE RETURNED TO OMNITRACK LTD UPON REQUEST AND IN ALL EVENTS UPON COMPLETION OF THE USE FOR WHICH IT WAS LOANED.



ALL DIMENSIONS SHOWN IN mm
DRAWING No.
9350

Omnitrack Ltd
Station Road Industrial Estate,
Woodchester, Gloucestershire,
GL5 5EQ - UK
Tel; +44 (0) 1453 8733 45
Fax; +44 (0) 1453 878 500
info@omnitrack.co.uk
www.omnitrack.co.uk