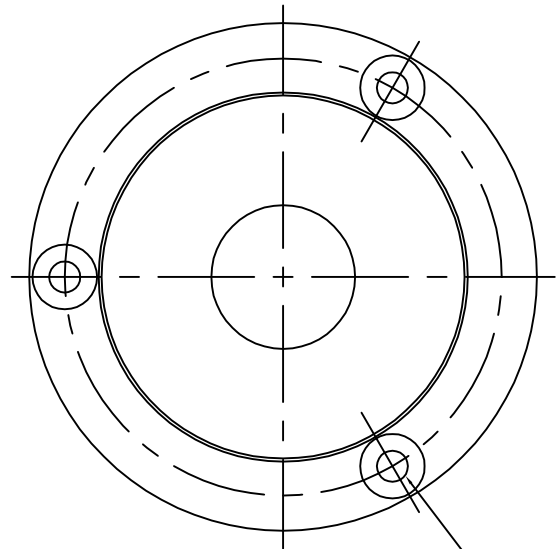


NOTES:

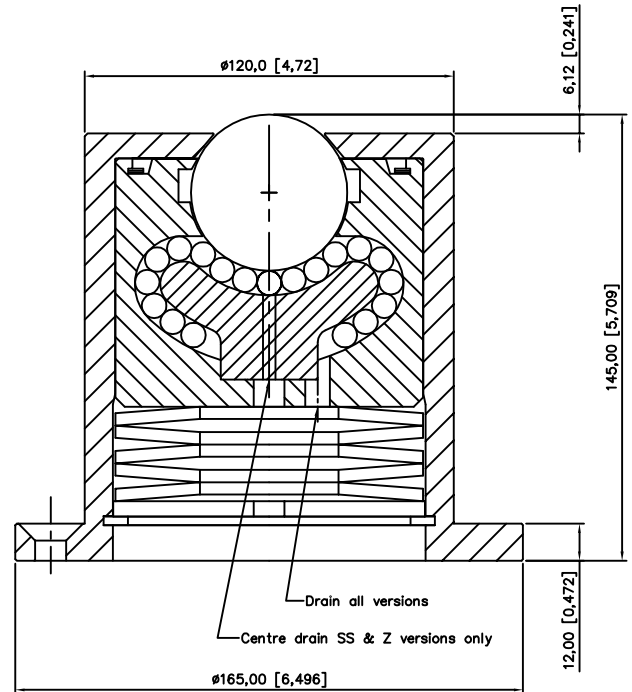
1. SUPPORTS 1000kg AND MAX DEFLECTION WILL SUPPORT 2000kg.

Available Material Options				
Part #	Load bearing internal materials	Ball Material	Casing material & finish	Disc Springs
9750	AISI 52100	AISI 52100	AISI 1012 – Zinc plated	Carbon steel – Corrosion protection
9750-A	AISI 52100	AISI 440	AISI 1015 – Zinc plated	
9750-SS	AISI 440	AISI 440	AISI 304 – Natural	lightly greased
9750-Z	AISI 440	AISI 440	AISI1015 – 'Electrostatic' finish~	

~ Operating temperature -20°C + 125°C (continuous)



3 HOLES Ø10.1 C'SUNK Ø20.0 x 90° INCLU ON A 140PCD



THIS DOCUMENT CONTAINS OMNITRACK LTD PROPRIETARY AND CONFIDENTIAL INFORMATION. IT IS LOANED FOR LIMITED PURPOSES ONLY AND REMAINS THE PROPERTY OF OMNITRACK LTD. IT MAY NOT BE REPRODUCED IN WHOLE OR PART OR DISCLOSED TO THIRD PARTIES WITHOUT THE PRIOR WRITTEN CONSENT OF OMNITRACK LTD. THE DOCUMENT IS TO BE RETURNED TO OMNITRACK LTD UPON REQUEST AND IN ALL EVENTS UPON COMPLETION OF THE USE FOR WHICH IT WAS LOANED.



ALL DIMENSIONS SHOWN IN mm

DRAWING No.
9750

Omnitrack Ltd
Station Road Industrial Estate,
Woodchester, Gloucestershire,
GL5 5EQ – UK

Tel; +44 (0) 1453 8733 45
Fax; +44 (0) 1453 878 500
info@omnitrack.co.uk
www.omnitrack.co.uk