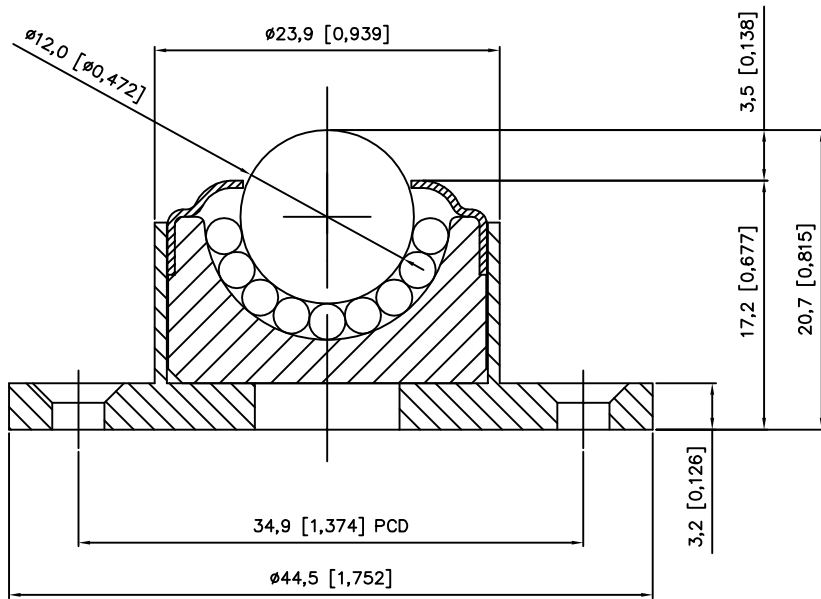


2 HOLES $\phi 3.6$ x C'SUNK $\phi 6.4$ DIA 90° INCLUSIVE



Available Material Options				
Part #	Load bearing internal materials	Main Ball Material	Casing material & finish	Load Capacity
MF 12	AISI 52100	AISI 52100	AISI 1015 -Zinc plated	20 kg
MF 12-A	AISI 52100	AISI 420	AISI 1015 -Zinc plated	17 kg
MF 12-SS	AISI 420	AISI 420	AISI 420 - Natural	17 kg
MF 12-D	AISI 52100	Acetal (POM)	AISI 1015 -Zinc plated	5 kg

THIS DOCUMENT CONTAINS OMNITRACK LTD PROPRIETARY AND CONFIDENTIAL INFORMATION. IT IS LOANED FOR LIMITED PURPOSES ONLY AND REMAINS THE PROPERTY OF OMNITRACK LTD. IT MAY NOT BE REPRODUCED IN WHOLE OR PART OR DISCLOSED TO THIRD PARTIES WITHOUT THE PRIOR WRITTEN CONSENT OF OMNITRACK LTD. THE DOCUMENT IS TO BE RETURNED TO OMNITRACK LTD UPON REQUEST AND IN ALL EVENTS UPON COMPLETION OF THE USE FOR WHICH IT WAS LOANED.

ALL DIMENSIONS SHOWN IN mm

DRAWING No.

MF 12



Omnitrack Ltd

Station Road Industrial Estate,
Woodchester, Gloucestershire,
GL5 5EQ - UK

Tel; +44 (0) 1453 8733 45
Fax; +44 (0) 1453 878 500
info@omnitrack.co.uk
www.omnitrack.co.uk