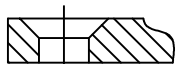
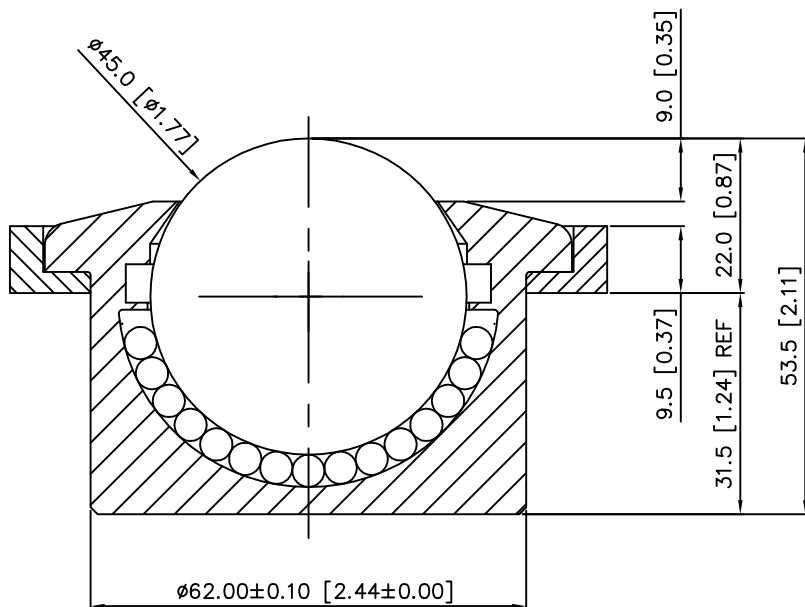


4 HOLES $\phi 7.1$ C'SUNK $\phi 12.6 \times 90^\circ$ INCLU



PART SECTION THROUGH HOLE



Available Material Options

Part #	Load bearing internal materials	Main Ball Material	Casing material & finish	Load Capacity
MS 45	AISI 52100	AISI 52100	AISI 1015 -Zinc plated	600 kg
MS 45-A	AISI 52100	AISI 420	AISI 1015 -Zinc plated	420 kg
MS 45-SS	AISI 420	AISI 420	AISI 420 - Natural	420 kg

THIS DOCUMENT CONTAINS OMNITRACK LTD PROPRIETARY AND CONFIDENTIAL INFORMATION. IT IS LOANED FOR LIMITED PURPOSES ONLY AND REMAINS THE PROPERTY OF OMNITRACK LTD. IT MAY NOT BE REPRODUCED IN WHOLE OR PART OR DISCLOSED TO THIRD PARTIES WITHOUT THE PRIOR WRITTEN CONSENT OF OMNITRACK LTD. THE DOCUMENT IS TO BE RETURNED TO OMNITRACK LTD UPON REQUEST AND IN ALL CASES UPON COMPLETION OF THE USE FOR WHICH IT WAS LOANED.



ALL DIMENSIONS SHOWN IN mm

DRAWING No.
MS 45

Omnitrack Ltd

Station Road Industrial Estate,
Woodchester, Gloucestershire,
GL5 5EQ - UK

Tel; +44 (0) 1453 8733 45

Fax; +44 (0) 1453 878 500

info@omnitrack.co.uk

www.omnitrack.co.uk